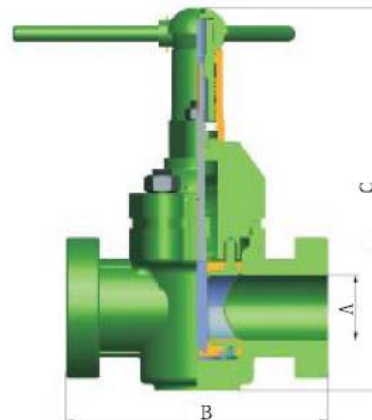
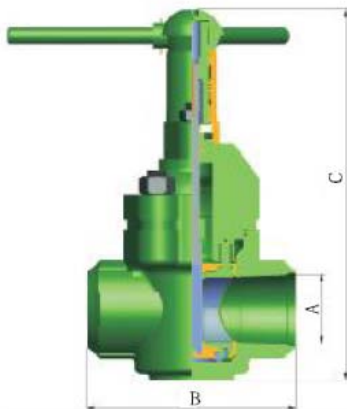


# Alico Oilfield Services Inc.

## Model DM Mud Gate Valve

- Size: 2", 3", 4", 5", 4"x5", 4"x6"
- Working Pressure: 2000Psi~7500Psi
- Working Temperature: -46°C ~ +121°C(LU)
- Seat and rubber-vulcanized to be integral which is easily installed and maintained.
- Dual threaded drive to have fast valve open/close.
- Reliable seal and long service life.
- Connections: flange, union, threaded and welding.



Size	Working Pressure	A		B(Thread type)		B(Flange type)		C	
		mm	in	mm	in	mm	in	mm	in
2"	2000Psi	50.8	2"	230	9.06"	295	11.61"	370	14.57"
3"	2000Psi	80	3"	280	11.02"	358.8	14.13"	510	20.08"
4"	2000Psi	101.6	4"	330	12.99"	416	16.38"	580	22.83"
2"	3000Psi	50.8	2"	230	9.06"	295	11.61"	370	14.57"
3"	3000Psi	80	3"	280	11.02"	359	14.13"	510	20.08"
4"	3000Psi	101.6	4"	330	12.99"	416	16.38"	580	22.83"
2"	5000Psi	50.8	2"	230	9.06"	308	12.13"	370	14.57"
3"	5000Psi	80	3"	280	11.02"	397	15.63"	510	20.08"
4"	5000Psi	101.6	4"	330	12.99"	457	17.99"	580	22.83"
5"	5000Psi	130	5"	400	15.75"	727	28.62"	700	27.56"

Tel: (281) 786-0683 Fax: (281) 786-0683  
 Add. : 188 Bear Cat Road, Aledo, TX 76008, USA